

BERWICK ROYAL OAK

4680 Elk Lake Drive
Victoria, B.C.



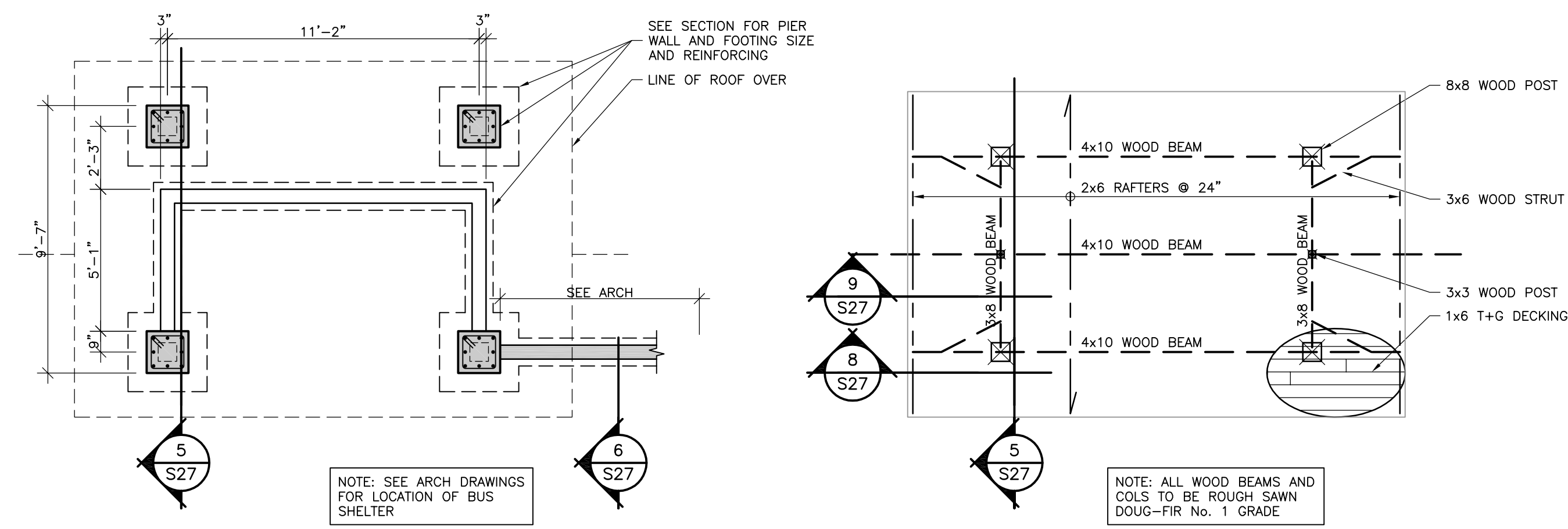
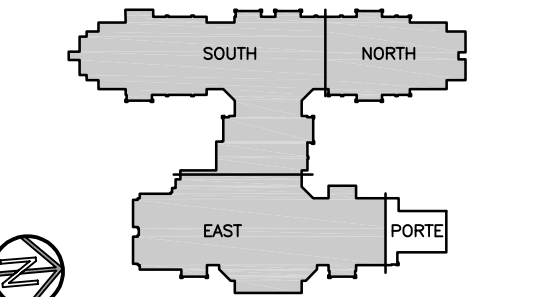
CHOW FLEISCHAUER LOW
architects inc
1551 BROADMEAD AVENUE VICTORIA BC V8P 2V1
ph: 250 / 472.8013 fax: 250 / 472.8152
email@cfarchitects.com

Consultants



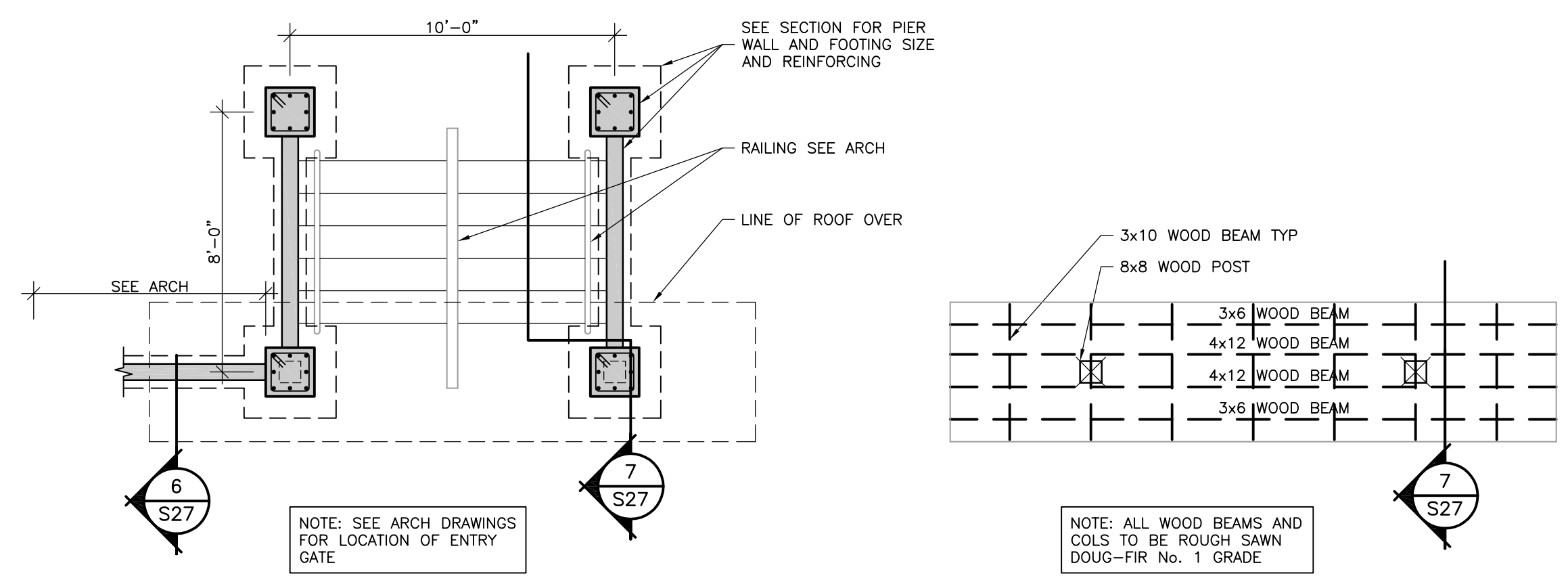
Seal

Key Plan



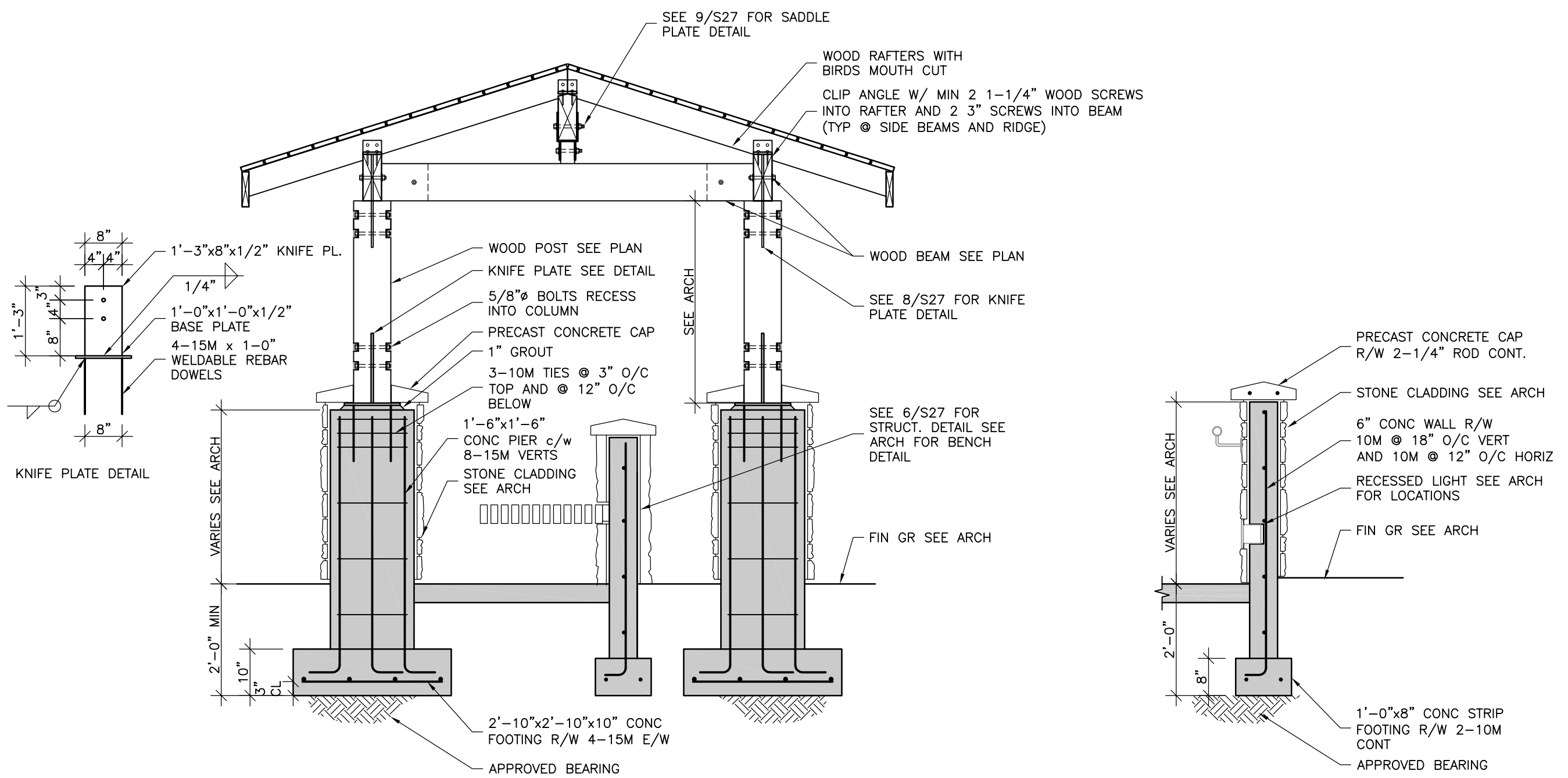
1 BUS SHELTER PLAN
1/4" = 1'-0"

2 BUS SHELTER ROOF PLAN
1/4" = 1'-0"



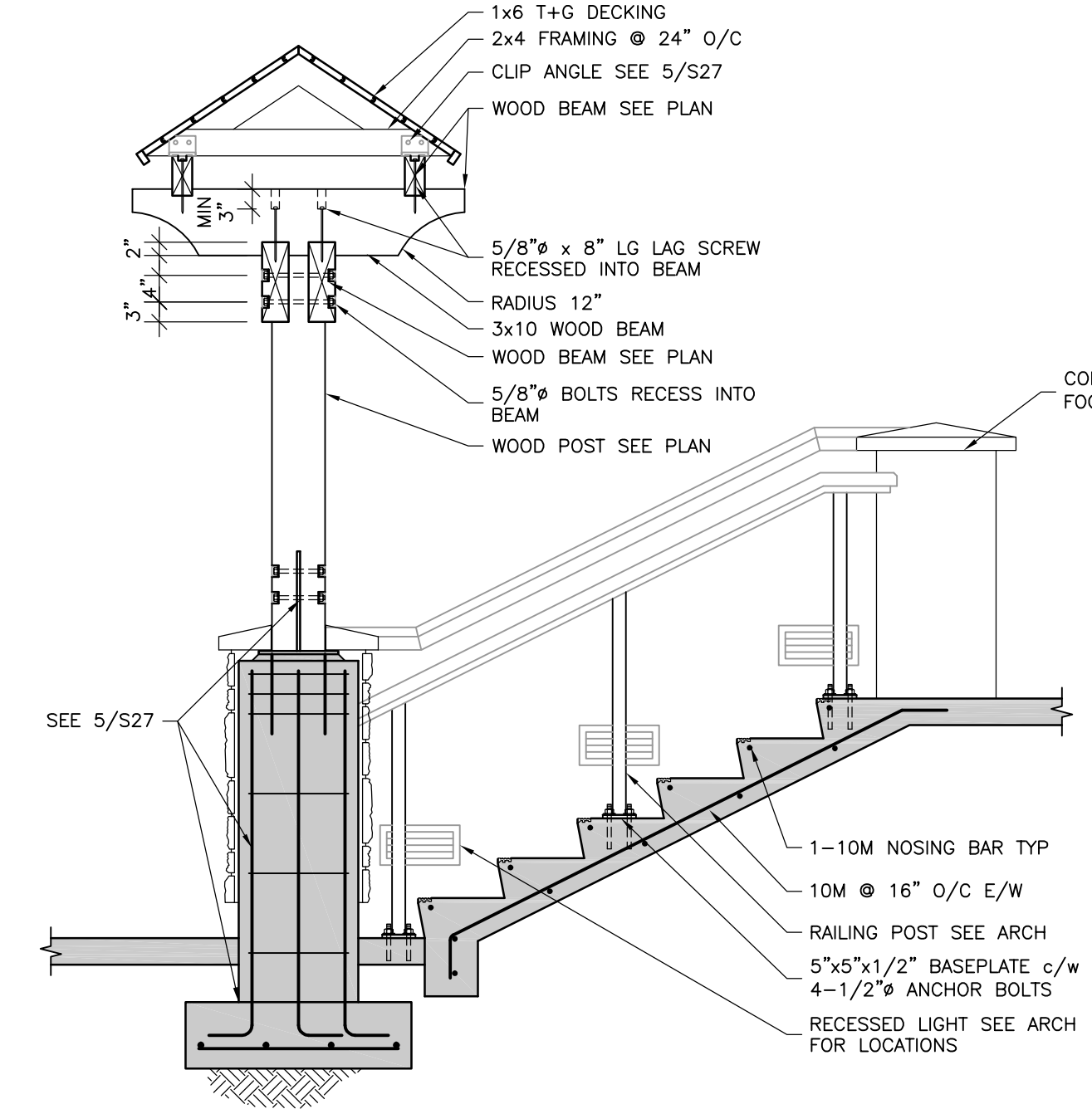
3 ENTRY_GATE PLAN
1/4" = 1'-0"

4 ENTRY_GATE ROOF PLAN
1/4" = 1'-0"

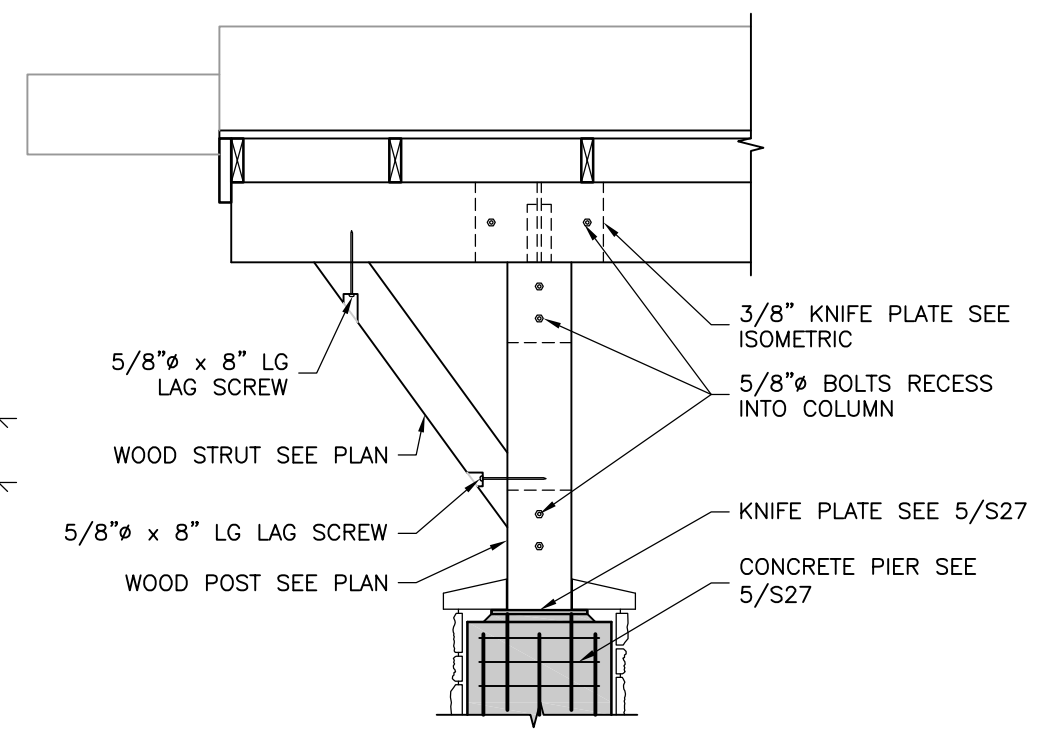


5 BUS SHELTER SECTION
1/2" = 1'-0"

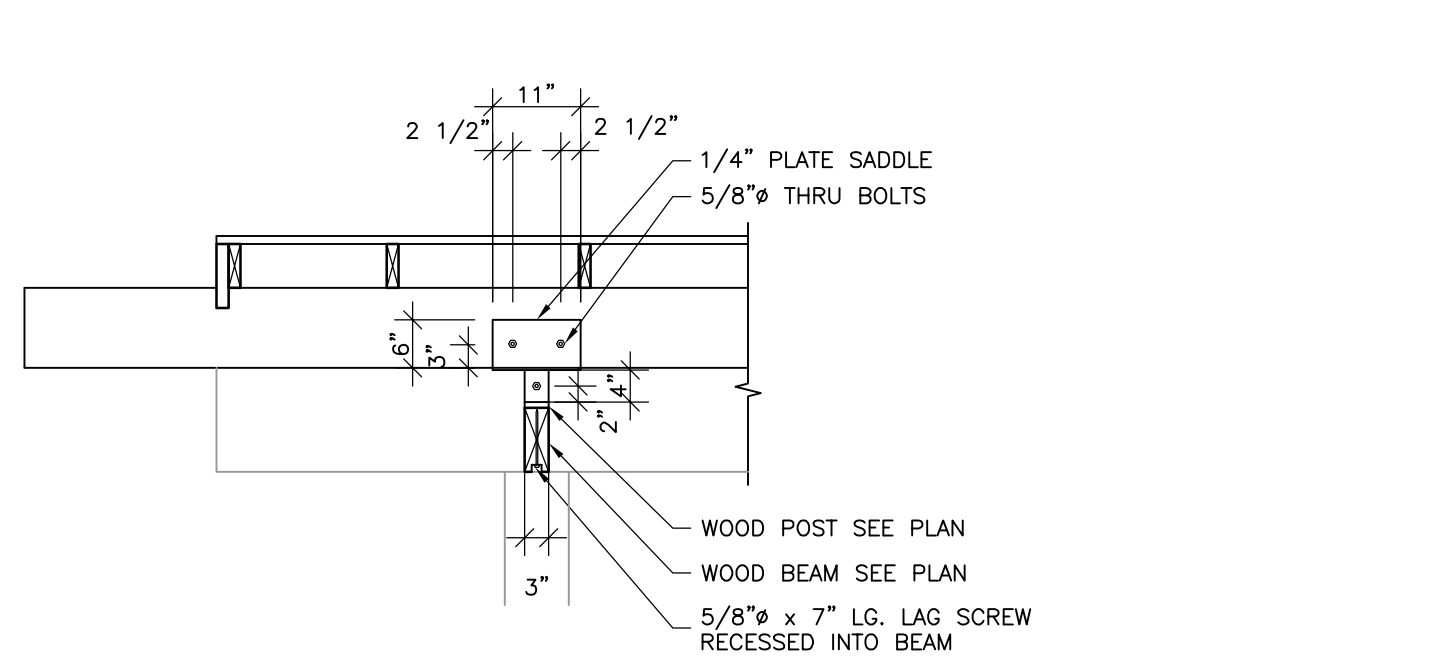
6 SECTION
1/2" = 1'-0"



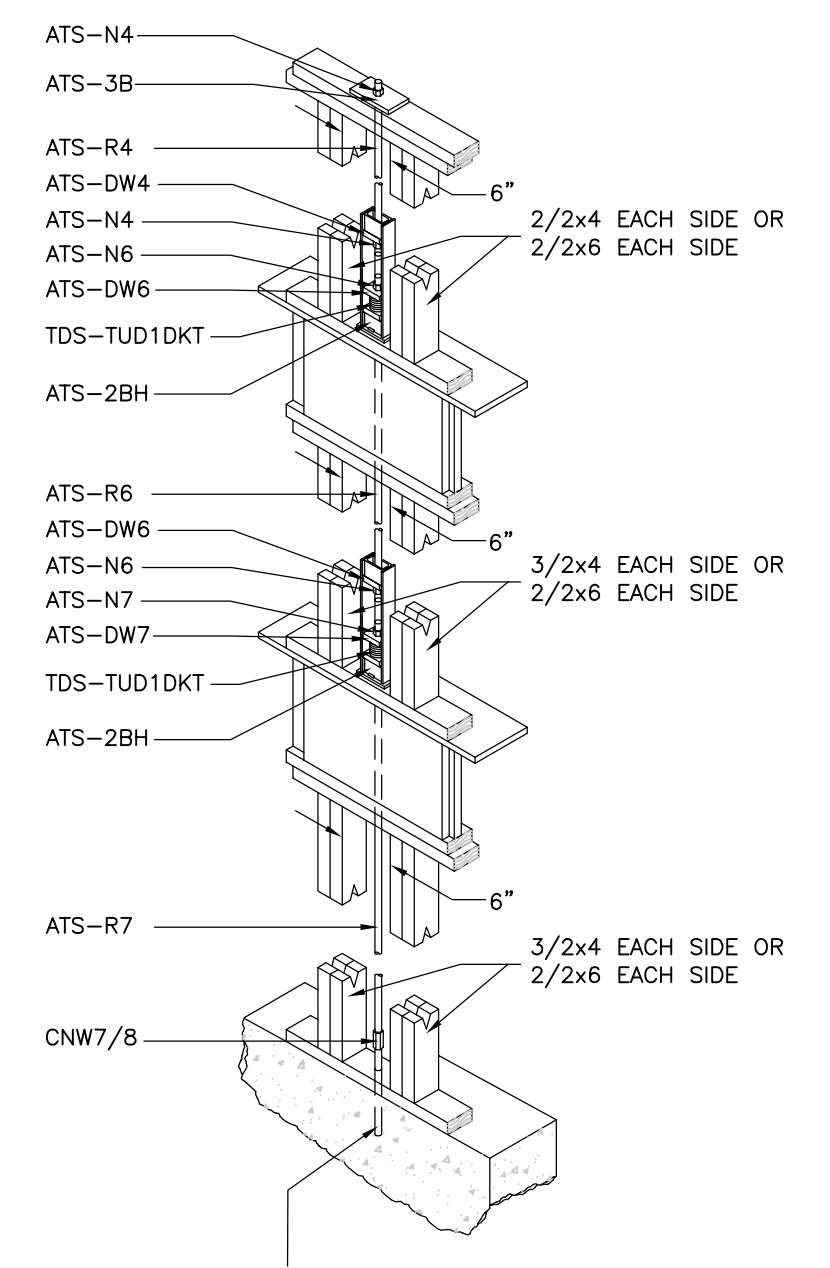
7 ENTRY_GATE SECTION
1/2" = 1'-0"



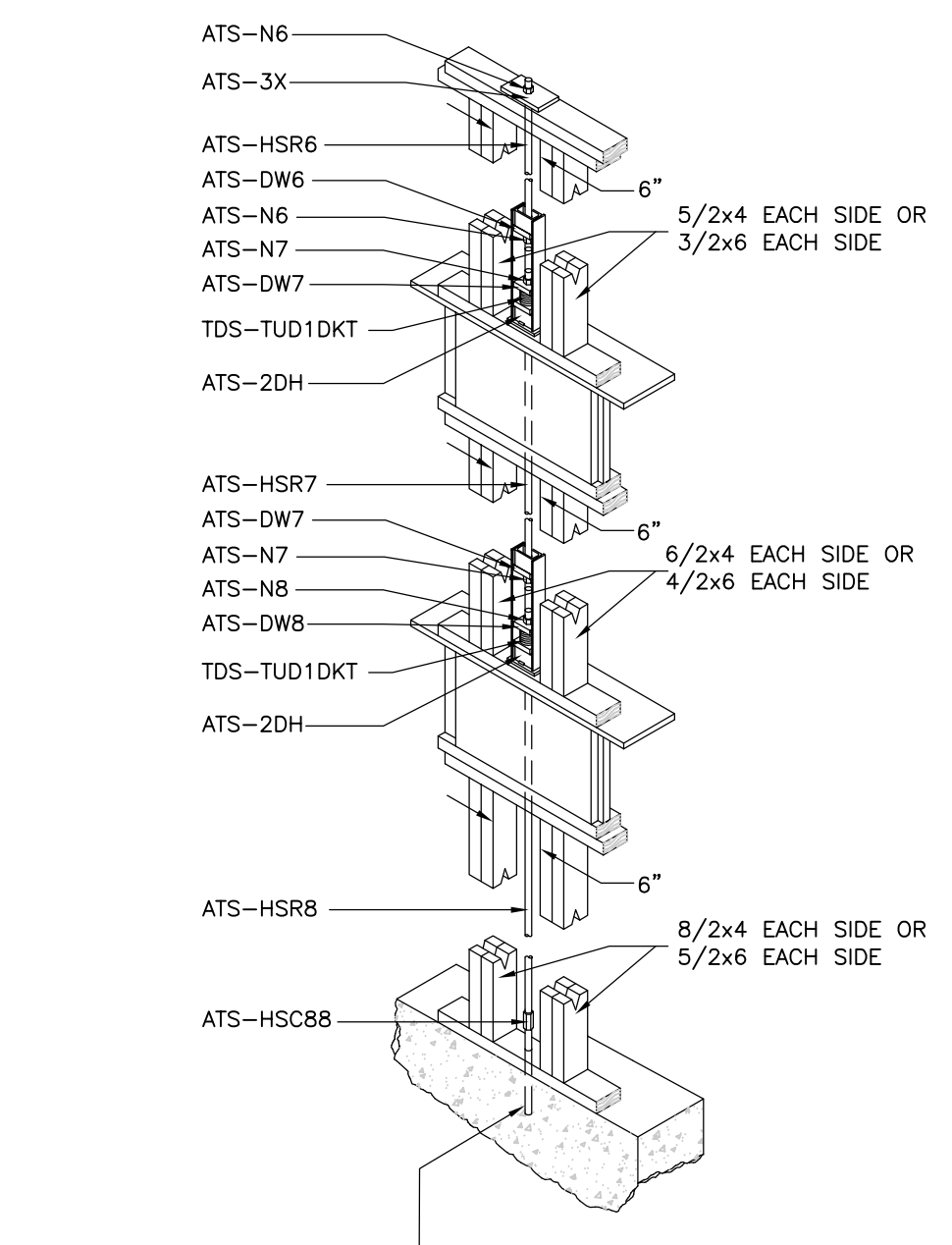
8 BUS SHELTER SECTION
1/2" = 1'-0"



9 BUS SHELTER SECTION
1/2" = 1'-0"

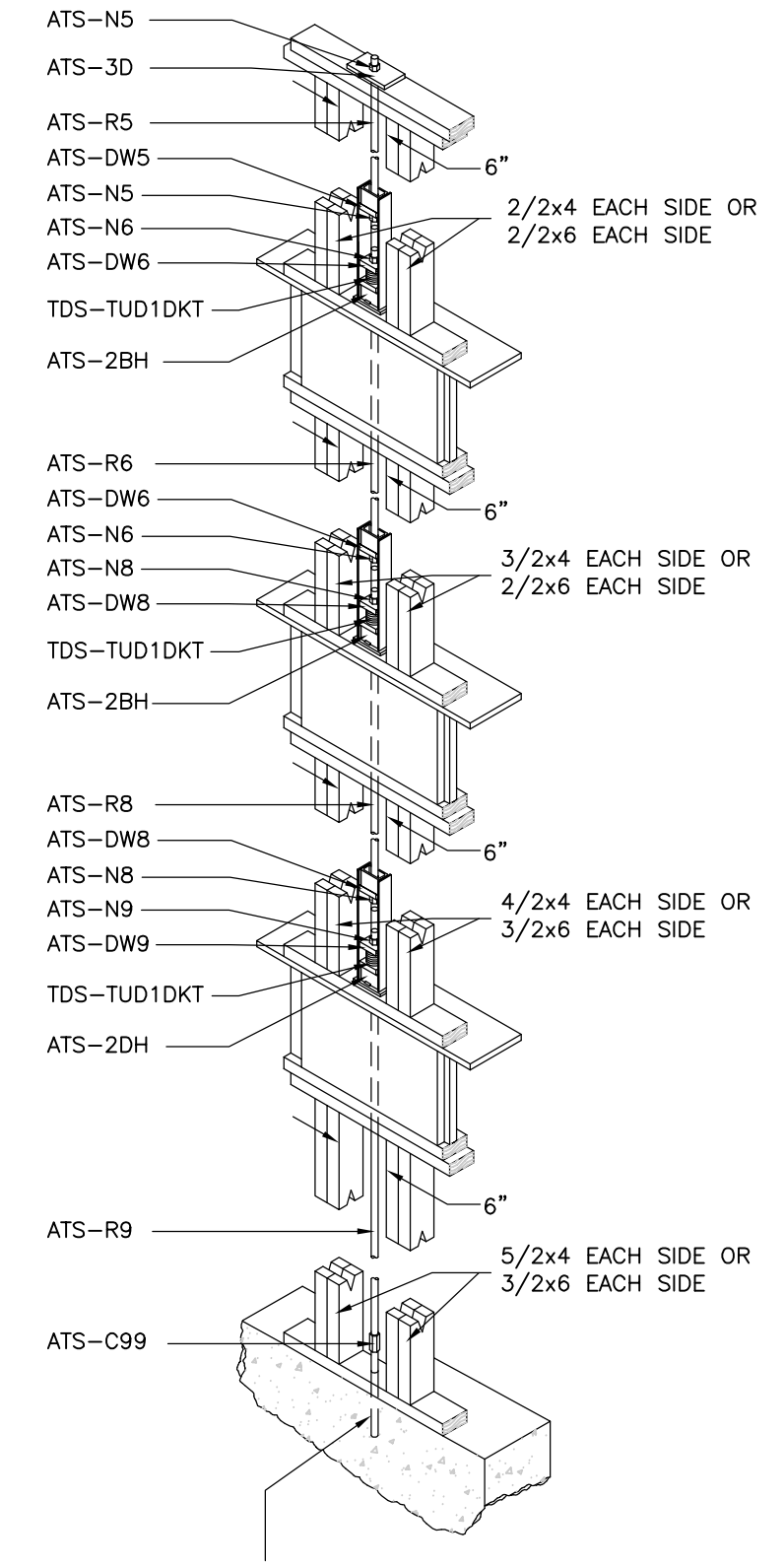


10 ISOMETRIC OF TDS33
1/2" = 1'-0"

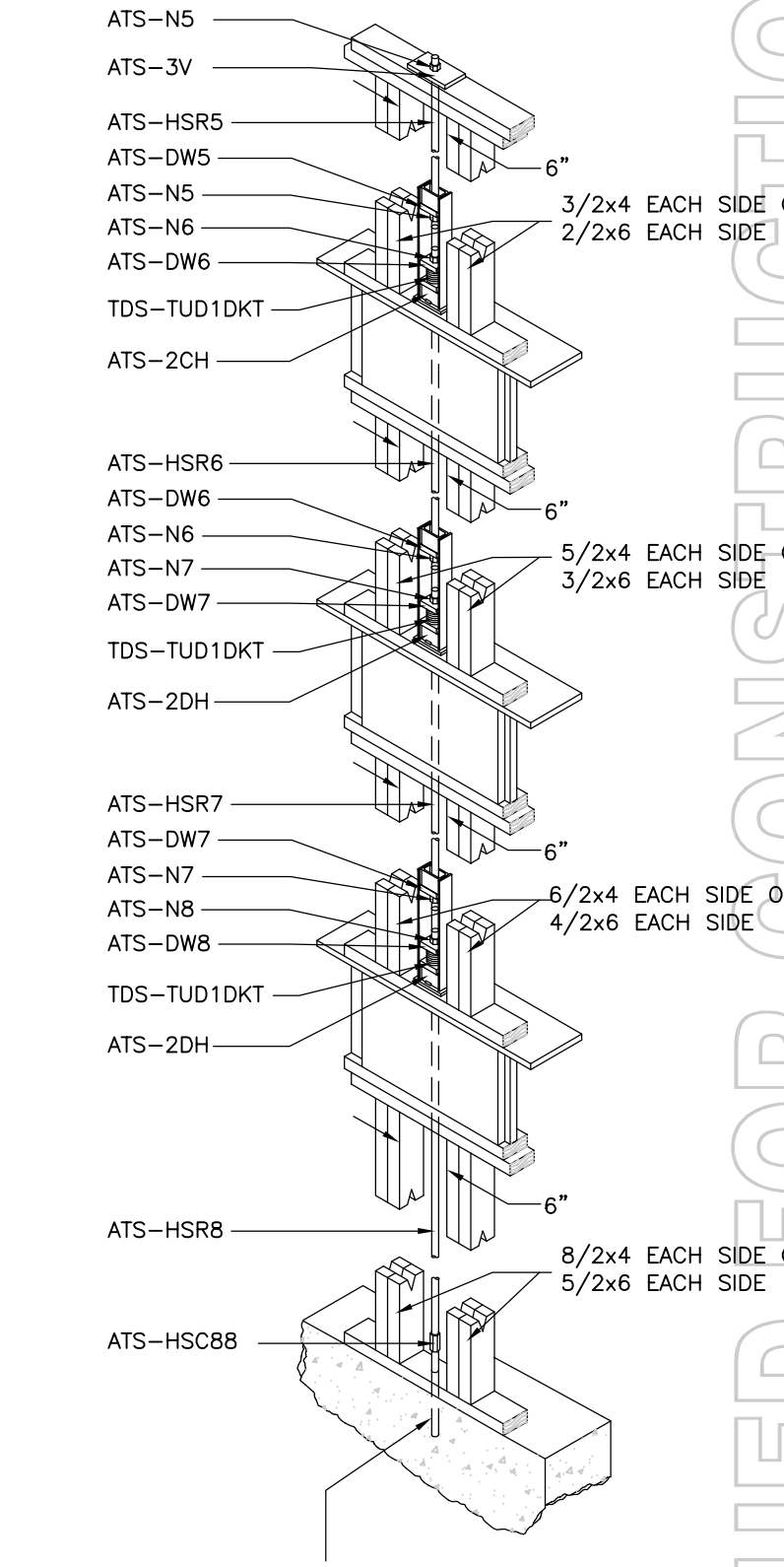


11 ISOMETRIC OF TDS3HS
1/2" = 1'-0"

SIZE (A307)	MIN. BOLT EMBED	ROD SIZE	POSTING	EMBED PLATE SIZE
1/2"	6"	ATS-R4	2/2x4 EACH SIDE OR 2/2x6 EACH SIDE	6"x6"x5/8" PL
5/8"	12"	ATS-R5	2/2x4 EACH SIDE OR 2/2x6 EACH SIDE	6"x6"x5/8" PL
3/4"	14"	ATS-R6	3/2x4 EACH SIDE OR 2/2x6 EACH SIDE	6"x6"x5/8" PL
7/8"	16"	ATS-R7	3/2x4 EACH SIDE OR 2/2x6 EACH SIDE	6"x6"x5/8" PL
1"	18"	ATS-R8	4/2x4 EACH SIDE OR 3/2x6 EACH SIDE	8"x8"x3/4" PL
1 1/8"	20"	ATS-R9	5/2x4 EACH SIDE OR 3/2x6 EACH SIDE	8"x8"x3/4" PL
1 1/4"	24"	ATS-HSR5	3/2x4 EACH SIDE OR 2/2x6 EACH SIDE	6"x6"x5/8" PL
1 1/2"	28"	ATS-HSR6	5/2x4 EACH SIDE OR 3/2x6 EACH SIDE	8"x8"x3/4" PL
		ATS-HSR7	6/2x4 EACH SIDE OR 4/2x6 EACH SIDE	8"x8"x3/4" PL
		ATS-HSR8	8/2x4 EACH SIDE OR 5/2x6 EACH SIDE	8"x8"x3/4" PL



12 ISOMETRIC OF TDS45
1/2" = 1'-0"



13 ISOMETRIC OF TDS4HS
1/2" = 1'-0"

ISSUED FOR CONSTRUCTION

No.	Date	Description
9	13APR07	GENERAL REVISIONS
8	05OCT06	CONSTRUCTION - FINAL
7	05SEP06	BP RESUBMISSION - PARTIAL
6	04JUL06	CONSTRUCTION
5	04MAY06	BUILDING PERMIT
4	20APR06	95% REVIEW MEETING
3	31MAR06	50% REVIEW MEETING
2	23MAR06	REVIEW
1	09MAR06	25% REVIEW MEETING

Date	Project No.
APR2007	TS05-1001

Scale: AS SHOWN
Sheet Title: SITE AND HOLD DOWN DETAILS

S27